

MJV-MJVO 1/8" NPT STEM & CARTRIDGE VALVES



MJV-MJVO Stem & Cartridge Valves

These are high flow 1/8" NPT ported 2-way, 3-way and 4-way valves that change their flow path when the stem is either depressed or released (spring return). The 2-way and 3-way valves are offered in both Normally-Closed (not passing) or Normally-Open (passing) versions. The 4-way valves are typically used to control a double acting air cylinder. On pages 135 through 145 we offer a wide range of pneumatic and mechanical valve actuators that work with all Clippard stem valves.

Medium: Air, water, oil, or other compatible fluids

Input Pressure: MJVO-2, MJVO-3, MJV-4, MJV-4D: 150 psig max.;
MJV-2, MJV-3, MJVO-3C: 300 psig max.

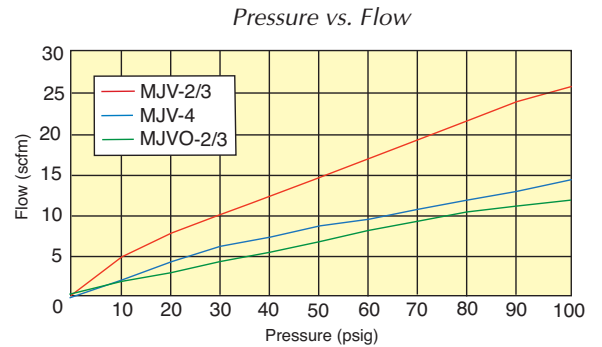


Stem Travel: 1/8"; MJV-4: 3/16"

Force For Full Stem Travel: MJV-4D: 12 oz.; MJV-2C, MJVO-2C: 24 oz.; MJVO-2:
36 oz.; MJV-2, MJV-3, MJVO-3, MJV-4: 38 oz. nominal.

Mounting: 15/32-32 thread. Nut and lockwashers furnished. MJV-4 and MJV-4D also have two 0.201" diameter mounting holes in valve body. Cartridge version inserts into a 5/8" bore (0.625" ±0.001")

Materials: Brass body, Nitrile seals, stainless steel stem and spring



- High flow poppet or spool design
- MJV-2 or MJV-3 are Normally-Closed (no flow when not actuated)
- MJVO-2 or MJVO-3 are Normally-Open (flowing until actuated)
- Cartridge valves (suffix "-C") are designed to be installed in a custom bore.

Normally-Open/Normally-Closed Poppet Valves

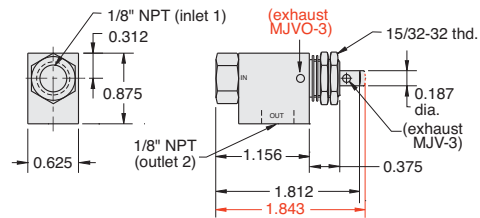


(MJV-2 shown)

Port(s)	Function	2-Way	3-Way
1/8" NPT	Normally-Closed	MJV-2	MJV-3
1/8" NPT	Normally-Open	MJVO-2	MJVO-3

Air Flow:

MJV-2, MJV-3/MJVO-3: 14 scfm @ 50 psig;
25 scfm @ 100 psig;
MJVO-2: 7 scfm @ 50 psig; 12 scfm @ 100 psig;
14 scfm @ 50 psig; 25 psig @ 100 psig



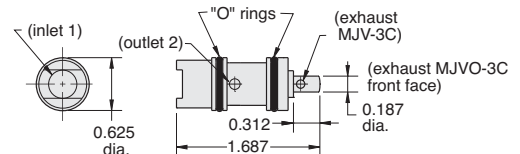
2-Way & 3-Way Cartridge Valves



(MJV-2C shown)

Function	2-Way	3-Way
Normally-Closed	MJV-2C	MJV-3C
Normally-Open	MJVO-2C	MJVO-3C

Air Flow: 11 scfm @ 50 psig; 22 scfm @ 100 psig



Normally-Open Spool Valves

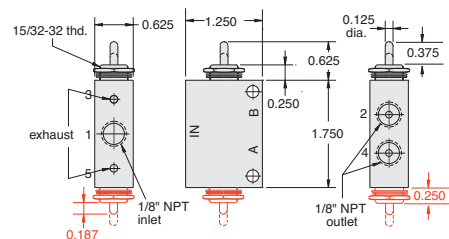


(MJV-4D shown)

Port(s)	Actuation	4-Way
1/8" NPT	Spring Return	MJV-4
1/8" NPT	2-Position	MJV-4D

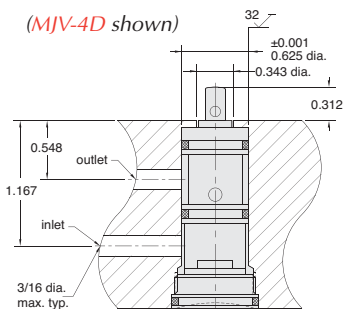
Air Flow: 8 scfm @ 50 psig; 14 scfm @ 100 psig

Mounting: Also two 0.201" dia. mounting holes in valve body



options (suffix)
ENP Plating "-ENP" • FKM Seals "-Y"

Clippard miniature **Cartridge Valves** offer the user flexibility in the application of 2-way and 3-way Normally-Open or Normally-Closed valves. They are used in Clippard heavy-duty limit switches and are suitable for pneumatic tools and manifolds or for any use where a valve needs to be built in.



MJV-2C/3C, MJVO-2C/3C

